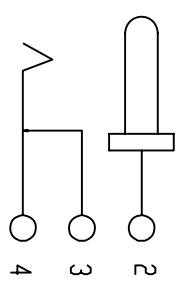
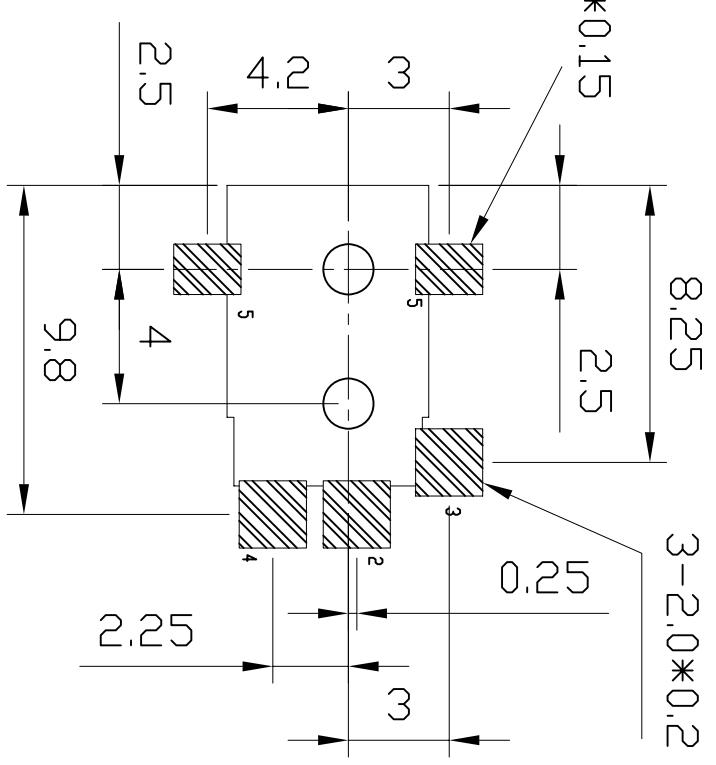
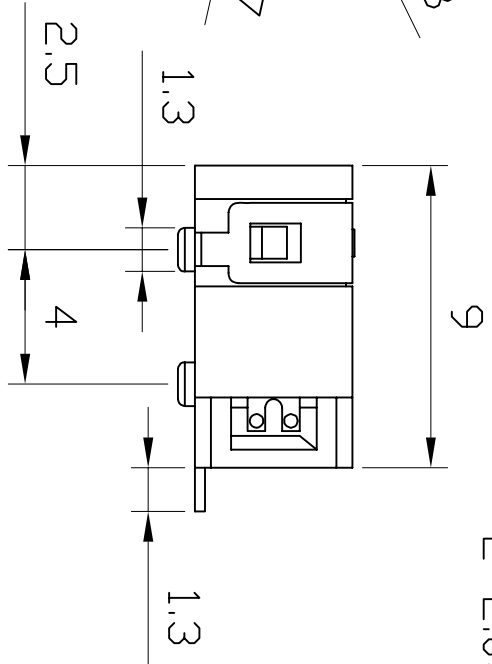
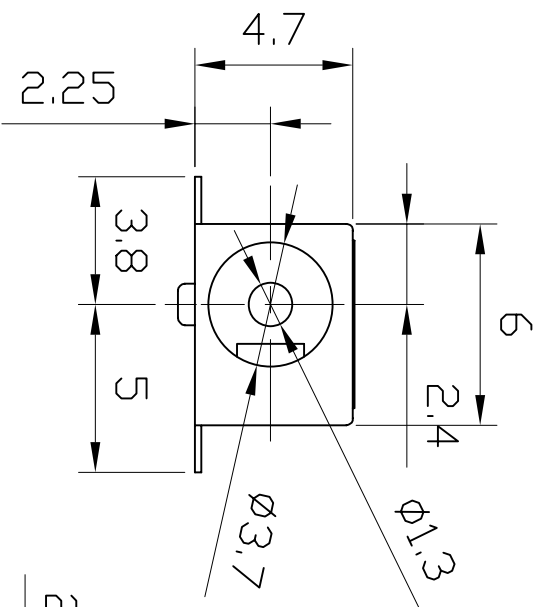


REV.	ECN NO.	LOCAS.	DESCRIPTION	DATE	DESIGN
A0			RELEASE TO CUSTOMER	080505	HANG



PCB Layout

- ### SPECIFICATION
- 1.Current Rating:1.0Amp
 - 2.Operation Voltage:30V
 - 3.Contact Resistance:30m Ohms Max
 - 4.Insulation Resistance:100M Ohms Min
 - 5.Dielectric Withstanding Voltage: 500VAC(50HZ)
 - 6.Mating and Unmating Force:5 to 20 N
 - 7.Life:5000 Cycles

LASTAR

Lastar Technology CO., LTD

DRAW NO.	09045B-13	DATE	080505	DRAW NAME:	DC JACK 3Pin
DESIGN	HANG	CHECK	WANGCM	UNIT:	P/N NO. DC-09045B-13
APPROVED	HUYX	080506		SHEET:	FILE:
				mm	MODEL:
				N/A	REV. A0
					SCALE N/A

DIM	TOL	DIM	TOL
X.	±0.25	X.	±4.0°
X.X	±0.20	X.X	±3.0°
X.XX	±0.15	X.XX	±2.0°
X.XXX	±0.10	X.XXX	±1.0°

THIS DRAWING CONTAINS INFORMATION THAT IS PROVIDED BY LASTAR TECHNOLOGY AND SHOULD NOT BE USED WITHOUT WRITTEN PERMISSION