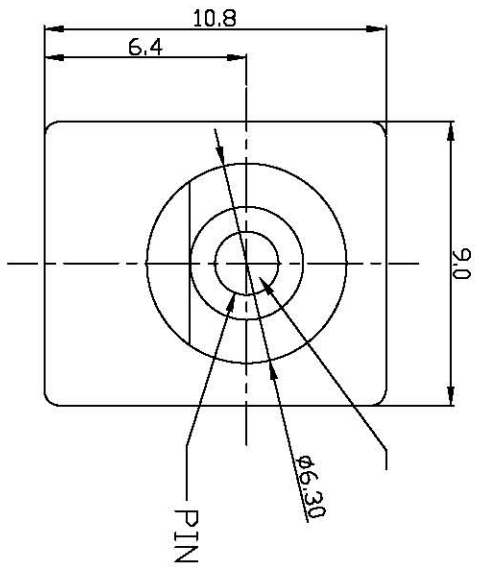
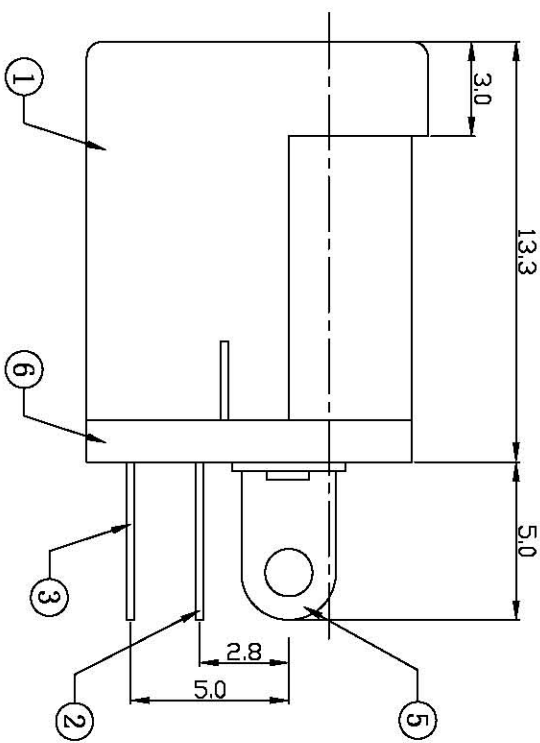
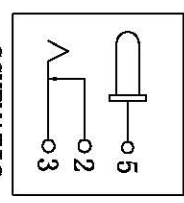
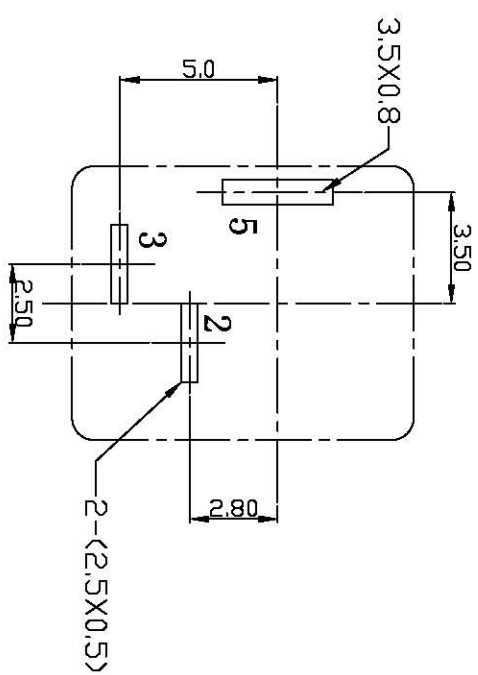


REV.	ECN NO.	LOCAS.	DESCRIPTION	DATE	DESIGN
AO			RELEASE TO CUSTOMER		HANG



PIN	$\phi 1.65$	$\phi 2.0$	$\phi 2.35$	$\phi 2.5$
APPD				



6	COVER	1	PF	
5	CONTACT FOOT	1	BRASS	Cu-Sn-Plating
4	PIN	1	H59 BRASS	Ni-Plating
3	SPRING	1	65Mn STEEL	Cu-Sn-Plating
2	FLAT PIECE	1	H62 BRASS	Cu-Sn-Plating
1	HOUSING	1	PBT/PA66	
NO	DESCRIPTION	QTY	MATERIAL	PLATING

DIM	TOL	DIM	TOL
X	$\pm 0.30$	X	$\pm 4.0^{\circ}$
X.X	$\pm 0.25$	X.X	$\pm 3.0^{\circ}$
X.XX	$\pm 0.20$	X.XX	$\pm 2.0^{\circ}$
X.XXX	$\pm 0.10$	X.XXX	$\pm 1.0^{\circ}$

**LASTAR**

Lastar Technology CO., LTD

DRAW NO.	09012-20	DATE	110205
DESIGN	HANG		
CHECK	WANGCM		
APPROVED	HUYX		

DRAW NAME:	DC JACK DIP180° (DC-012)
P/N NO.	DC-09012-20
UNIT:	mm
SHEET:	N/A
MODEL:	
REV.	AO
SCALE	N/A

**SPECIFICATION**

1. RATING: DC 30V 0.5A
2. CONTACT RESISTANCE:  $\leq 0.03 \Omega$
3. INSULATION RESISTANCE:  $\geq 100M \Omega$  (DC250V)
4. WITHSTAND VOLTAGE: 500VAC
5. INSERTION AND EXTRACTION FORCE: 3-20N
6. LIFE TEST: 5000 CYCLES