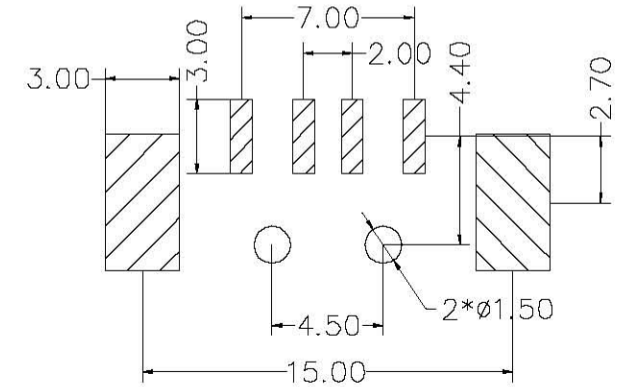
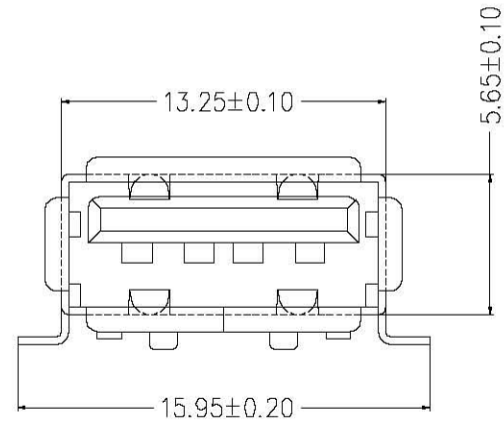
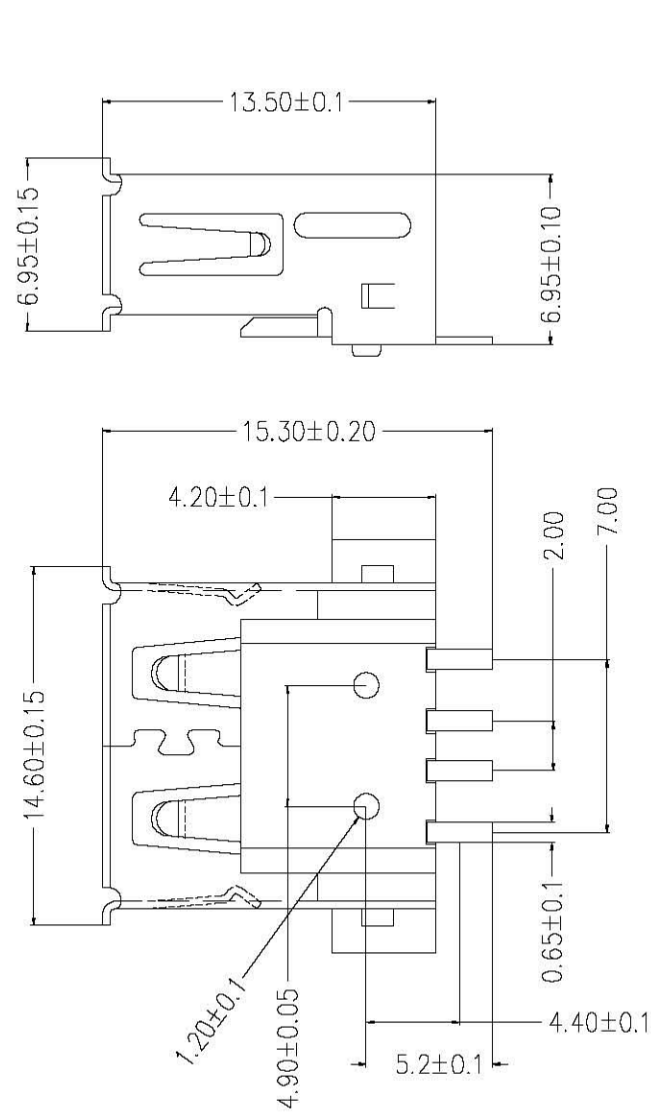


REV.	ECN NO.	LOCAS.	DESCRIPTION	DATE	DESIGN
A0					HANG



P.C.B Layout

MATERIAL

- 1、Housing: High temperature thermoplastics, PBT
- 2、Contact: Copper Alloy, C2680H, Plated gold in mating area, Tin on Solder tails
- 4、Shell: Copper Alloy, C2680H/SPCC, Plated with Nickel

ELETRICAL

- 1、Contact resistance: 30m ohms max
- 2、Dielectric Withstanding Voltage: 500VAC At Sea Level
- 3、Insulation resistance: 100MEGA ohms min.

LASTAR

Lastar Technology CO., LTD

DRAW NO.	112-20A-04	DATE	DRAW NAME: USB Female SMT		
DESIGN	HANG	070505	P/N NO. USB-112-20A-0422-10X		FILE:
CHECK	WANGCM	070506	UNIT: mm		MODEL:
APPROVED	HUYX	070506	SHEET: N/A	⊕	REV. A0 SCALE N/A